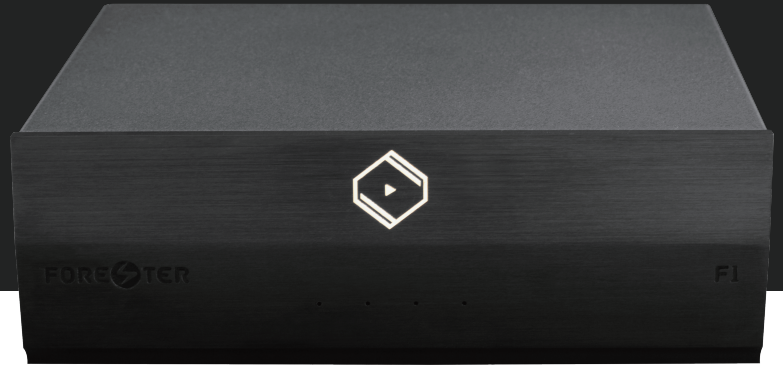
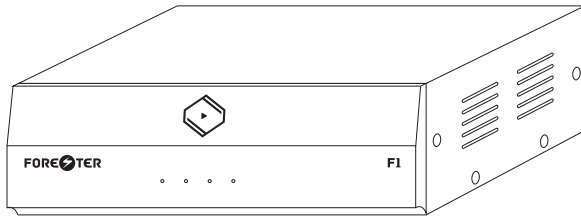


# Silent Angel F1

## Dual 5V Linear Power Supply



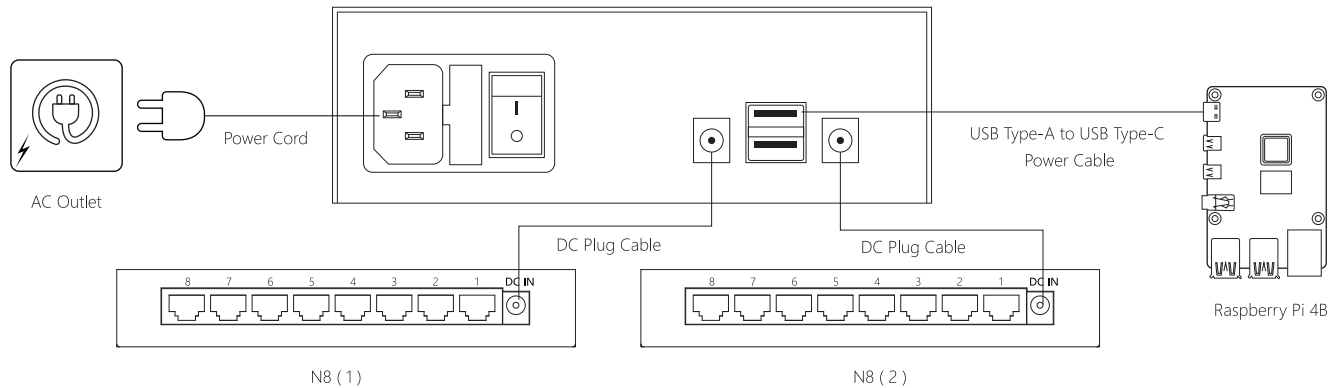
### Package Contents



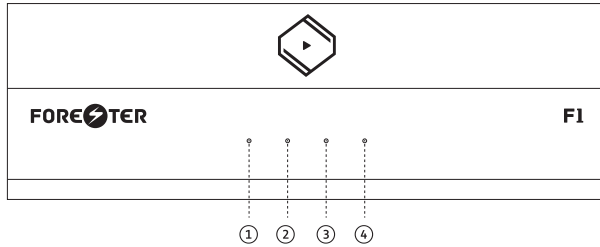
- F1 x1
- Power Cord x1
- 5.5mm x 2.1mm DC Plug Cable x2
- Quick Start Guide x1
- Warranty Card x1

### Start to Use

**!** Check and Set Voltage Selector at the bottom of F1



## ➤ Front Panel, Rear Panel, and Bottom



### ① Output 1 Over Temperature

Light on when over temperature protection of output 1 is activated.

### ② Output 1 Status

Green light on when output 1 power is on and output is good.

Red light on when over current protection is activated and output is off.

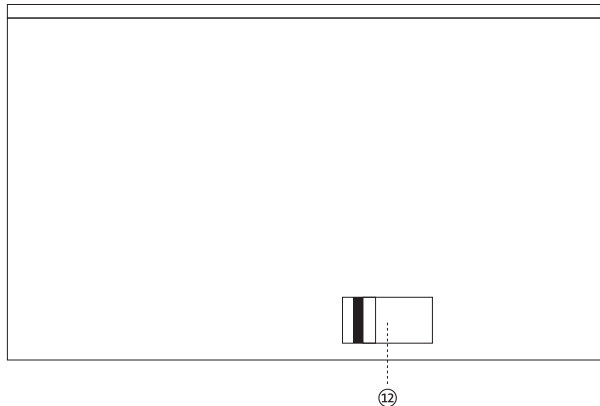
### ③ Output 2 Status

Green light on when output 2 power is on and output is good.

Red light on when over current protection is activated and output is off.

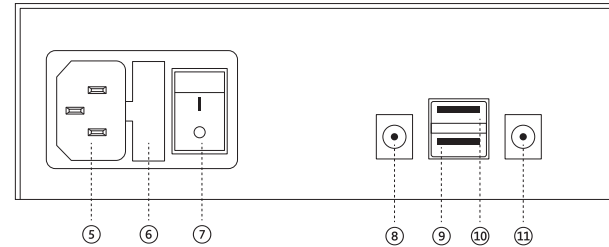
### ④ Output 2 Over Temperature

Light on when over temperature protection of output 2 is activated.



### ⑫ AC Voltage Selector

Select proper AC voltage for AC INPUT.



### ⑤ AC Input

AC power input.

### ⑥ Fuse Holder

Fuse is inside the fuse holder.

### ⑦ Power Switch

Power switch for controlling main power.

### ⑧ 5V DC Output Port 2\*

5V DC output 2A max. (DC plug 5.5mm x 2.1mm, tip carries +5V)

### ⑨ 5V DC Output Port 2\*

5V DC output 2A max. (USB Type-A)

### ⑩ 5V DC Output Port 1\*

5V DC output 2A max. (USB Type-A)

### ⑪ 5V DC Output Port 1\*

5V DC output 2A max. (DC plug 5.5mm x 2.1mm, tip carries +5V)

\* DO NOT connect to USB and DC plug for the same port at the same time.

## Silent Angel

© 2020 Thunder Data Co. Ltd. All rights reserved.

support@thunder-data.com

<http://www.silent-angel-audio.com/>